



PRE-TORQUE MULTIFLANGE RUPTURE DISC HOLDER

IG-KUB®-PTU

for reverse acting rupture discs
KUB® and IKB®

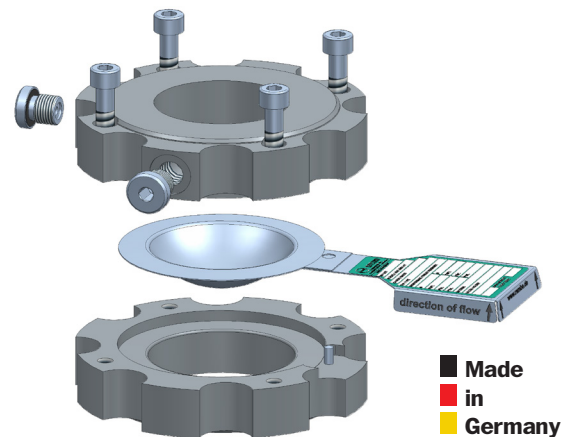
The unique design of the IG-KUB®-PTU rupture disc holder always guarantees the proper insertion, and enables the **pre-assembly of the rupture disc**. This avoids a damaging of the rupture disc, which can then be **reused after dismantling**, for example, within the scope of an inspection.

The IG-KUB®-PTU rupture disc holder is a flat-seat holder for reverse acting rupture discs. The sealing edge of the seat surface ensures a **leak-free sealing through a fully-metallic clamping**. The inside diameter of the rupture disc holder outlet performs a support function and guarantees the optimal opening behaviour when the defined burst pressure is reached.

The **integrated pre-assembly bolts** allow an **easy and safe installation** of the rupture disc. The holder **can be used for a wide range of flanges and various pressure classes**.

Your advantages

- **Pre-assembly of the rupture disc** for a rugged and secure handling with a defined torque.
- **Multi-flange design**, suitable for different pressure classes and flange systems.
- **High degree of leak-tightness** through a full-metal sealing.
- **Available in a broad variety of materials**.





Safety is for life.™

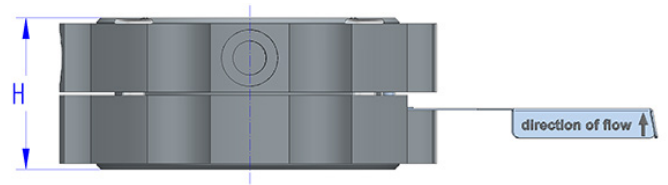
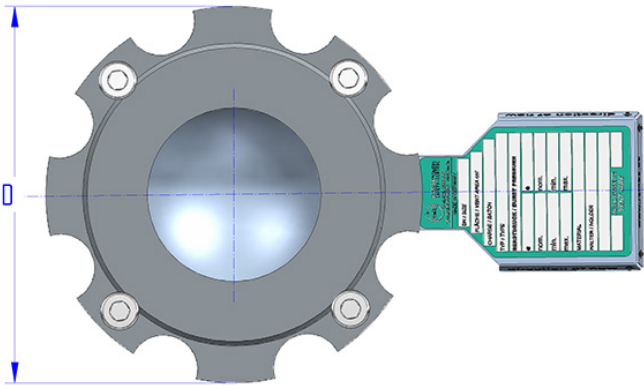
PRODUCT INFORMATION



REMBE® provides numerous designs and versions of holders. The table shows an extract of typical versions and corresponding designations. Further customized versions tailored to application are available.

Typ*	Description
IG-KUB®-PTU	Standard
IG-KUB®-PTU-S / -SS	With lateral threaded tap in the outlet part of holder, one (S) or two (SS) taps, BT-SKKUB® version with integrated cable gland
IG-KUB®-PTU-SH	Special height
IG-KUB®-PTU-F / -FF	With tongue, single or double-sided
IG-KUB®-PTU-N / NN	With groove, single or double-sided
IG-KUB®-PTU-FN	With tongue in outlet and groove in inlet
IG-KUB®-PTU-NF	With groove in outlet and tongue in inlet
IG-KUB®-PTU-V / -VV	With male, single or double-sided
IG-KUB®-PTU-R / -RR	With female, single or double-sided
IG-KUB®-PTU-RJ	With Ring Type Joint Face, single-sided
IG-KUB®-PTU-RJRJ	With Ring Type Joint Face, double-sided
IG-KUB®-PTU-T	With lateral blind tap, in BT-SIKUB® version with NIMU non-invasive signalling unit

* Other combinations of F= tongue, N= groove, V= male, R= female and RJ=Ring Type Joint Face are possible.



Technical data

NPS [in]	DN [mm]	Pressure class ANSI ASME B16.5	DPressure class PN EN 1092-1	Pressure class JIS B	H [mm]	D [mm]
1"	25	150/300/600	10/16/25/40	10/16/20/30/40	46	83
1½"	40	150/300/600	10/16/25/40	10/16/20/30/40	46	105
2"	50	150/300/600	10/16/25/40	10/16/20/30/40	53	127
2½"	65	150/300/600	10/16/25/40	10/16/20/30/40	57	160
3"	80	150/300/600	10/16/25/40	10/16/20/30/40	60	165
4"	100	150/300/400	10/16/25/40	10/16/20/30/40	68	190
6"	150	150	10/16/25/40	10	80	247
		300/400/600	-	16/20/30/40	80	292
8"	200	150	10	-	84	299
		300/400/600	16/25/40	10/16/20/30/40	84	349
10"	250	150	16/25/40	10/16/20/30/40	91	410
		300/400	10	-	91	432
12"	300	150	10/16	10	92	432
		300/400	25/40	16/20/30/40	92	470